

# DRAWING FOR CUSTOMER

KB952-XX X D R 6 A

Pin No.

包裝方式:

T:TUBE (管裝)

R:REEL (卷裝)

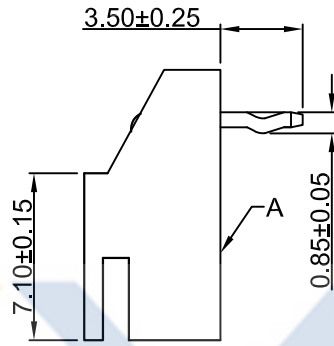
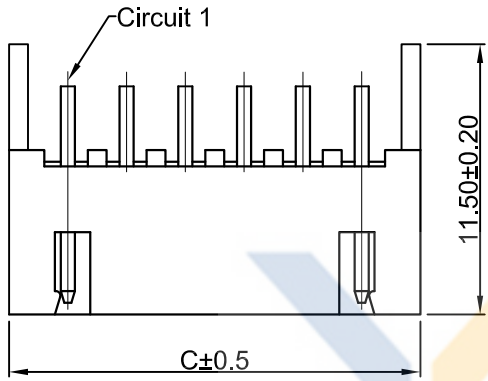
P: PE (袋裝)

Version  
Mold No.

R:Right Angle  
V:Vertical

S:SMT

D:DIP

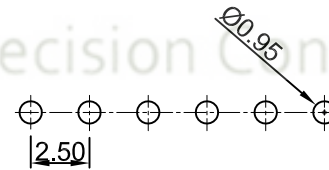
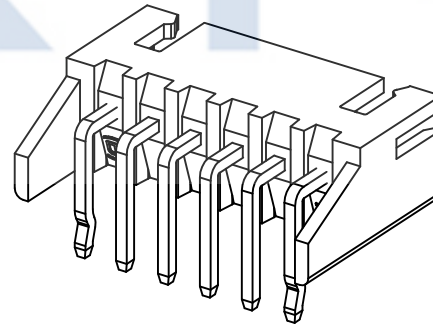
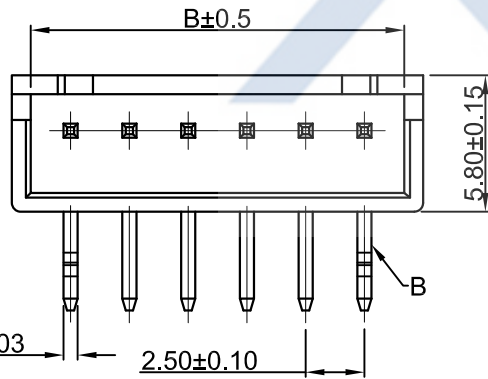


■SPEC.:

- Rated Voltage:250V AC,DC
- Rated Current:3A AC,DC
- Withstand Voltage:1000V AC/minute
- Contact Resistance:20mΩ max
- Insulation Resistance:1000MΩ min
- Temperature Range:-25℃~+85℃

■Material:

- Insulator(A):Nylon66 UL94V-0
  - Contact Pin(B):Brass
- Finish: Tin plated; over Nickel



P.C.Board Layout  
General Tolerance:±0.05

Poles	Dimensions (mm)		
	A	B	C
02	2.50	6.00	7.50
03	5.00	8.50	10.00
04	7.50	11.00	12.50
05	10.00	13.50	15.00
06	12.50	16.00	17.50
07	15.00	18.50	20.00
08	17.50	21.00	22.50
09	20.00	23.50	25.00
10	22.50	26.00	27.50
11	25.00	28.50	30.00
12	27.50	31.00	32.50
13	30.00	33.50	35.00
14	32.50	36.00	37.50
15	35.00	38.50	40.00
16	37.50	41.00	42.50
17	40.00	43.50	45.00
18	42.50	46.00	47.50

**XYCO** 东莞市轩业电子科技有限公司  
TEL: 0769-8297 9981/2/3 <http://www.XYCO.com.cn>

DATE 日期	VER 版本	CHANGE HISTORY 變更歷史	CHANGED NAME 修改後料號	DRAWING 變更者
2016-11-18	A		KB952-XXXDR6A	Devin

TOLERANCE 公差	DRAWING 設計者
.X=±0.30 .XX=±0.20 .XXX=±0.10	Devin
	CHECKED 審查 Thomas
	APPROVED 核准 William

PART NO. 料號	
DWG NO. 圖號	PE1712016A

UNIT 單位	PRODUCT NAME 產品名稱
mm	XHB PH2.50mm Wire To Board Dip Right Angle Wafer

--	--