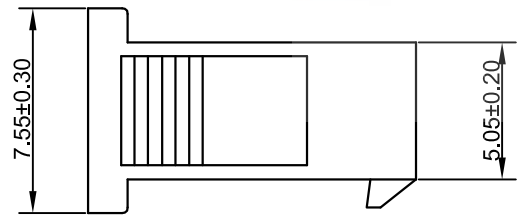
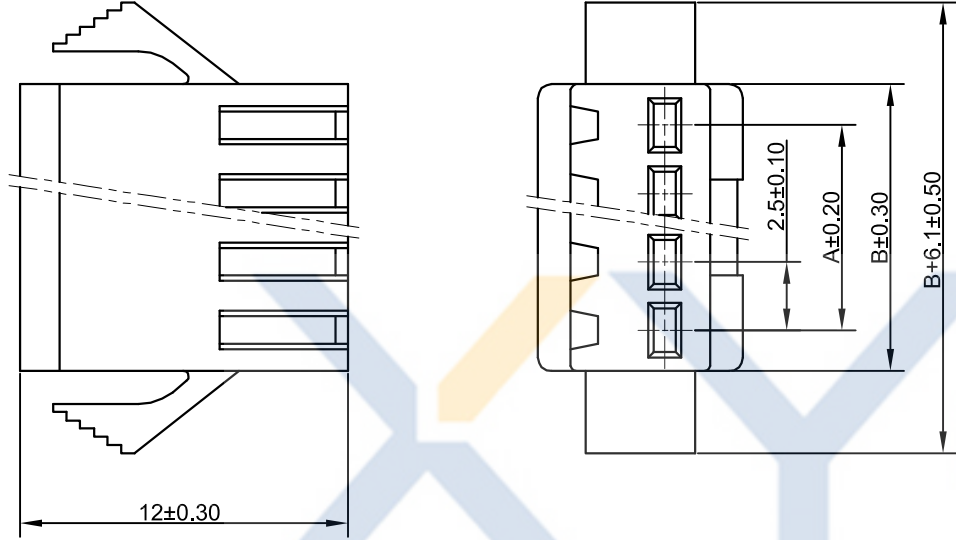
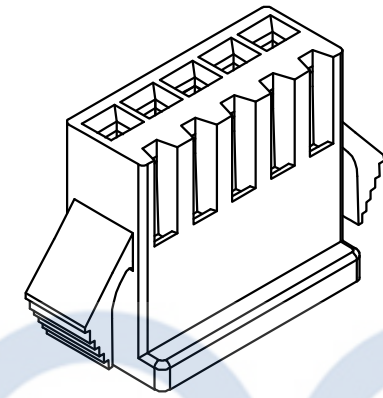
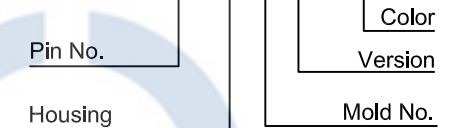


# DRAWING FOR CUSTOMER

- SPEC.:
- Rated Voltage:250V AC,DC
  - Rated Current:3A AC,DC
  - Withstand Voltage:1500V AC/minute
  - Contact Resistance:10mΩ max
  - Insulation Resistance:500MΩ min
  - Temperature Range:-25℃~+85℃

- Material:
- Insulator:PA66 UL94V-0
  - Color:WH-White,BK-Black

**KB941-XX H 3 A -XX**



Poles	Dimensions(mm)	
	A	B
02	2.50	5.5
03	5.00	8.0
04	7.50	10.5
05	10.00	13.0
06	12.50	15.5
07	15.00	18.0
08	17.50	20.5
09	20.00	23.0
10	22.50	25.5
11	25.00	28.0
12	27.50	30.5
13	30.00	33.0
14	32.50	35.5
15	35.00	38.0
16	37.50	40.5

Precision Connectors

**XYCO** 东莞市轩业电子科技有限公司  
 TEL: 0769-8297 9981/2/3 <http://www.XYCO.com.cn>

					TOLERANCE 公差	DRAWING 設計者	Devin	KB941-XXH3A-XX			
2013-09-13	A	CHANGE HISTORY 變更歷史	KB941-XXH3A-XX	Devin	.X=±0.30	CHECKED 審查	Thomas	PART NO. 料號			
DATE 日期	VER 版本				.XX=±0.20	APPROVED 核准	William	DWG NO. 圖號	PE2504A	UNIT 單位	mm
					.XXX=±0.10					PRODUCT NAME 產品名稱	SM-NY PH2.5mm Wire To Wire Housing-Male

UNIT 單位	mm	PRODUCT NAME 產品名稱	SM-NY PH2.5mm Wire To Wire Housing-Male
------------	----	----------------------	--